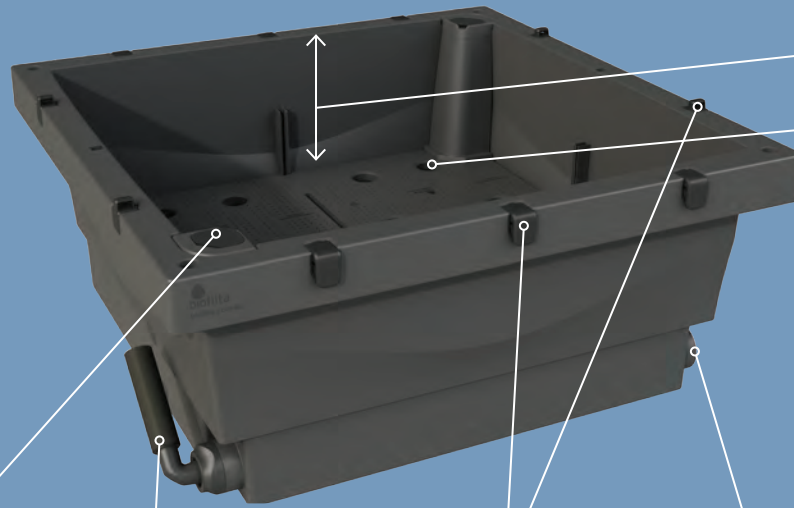


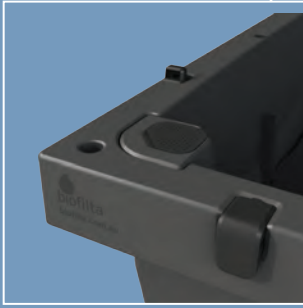


FOODCUBE FEATURES

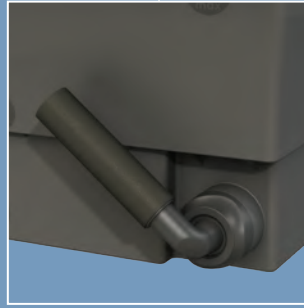
MODULAR WICKING BED



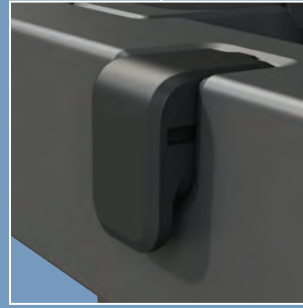
- 315MM SOIL DEPTH
- SOIL CONES TO WICK WATER FROM RESERVOIR INTO SOIL
- 1M² OF INTERNAL GROWING AREA
- HUGE 110 LITRE WATER RESERVOIR



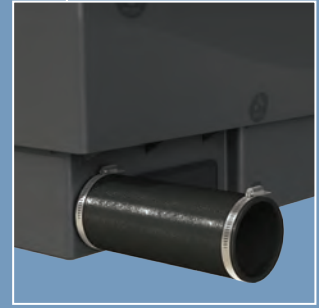
AERATION & INSPECTION POSTS



VARIABLE WATER ADJUSTMENT



INTERCHANGEABLE CONNECTIONS & TIE POINTS



90MM CONNECTION POINT TO OTHER FOODCUBES OR A WATER SOURCE

- 1150mm x 1150mm x 500mm
- Recycled UV stable plastic
- Modular – connect in series
- Self-watering wicking design
- Low water use
- Moveable
- Netting and cover systems available
- Self-aerating
- Accepts dress panels
- Variable water height
- No rust and long lasting
- Made in Australia
- Saves time, no top watering
- Easy to install
- Ergonomic raised bed

